

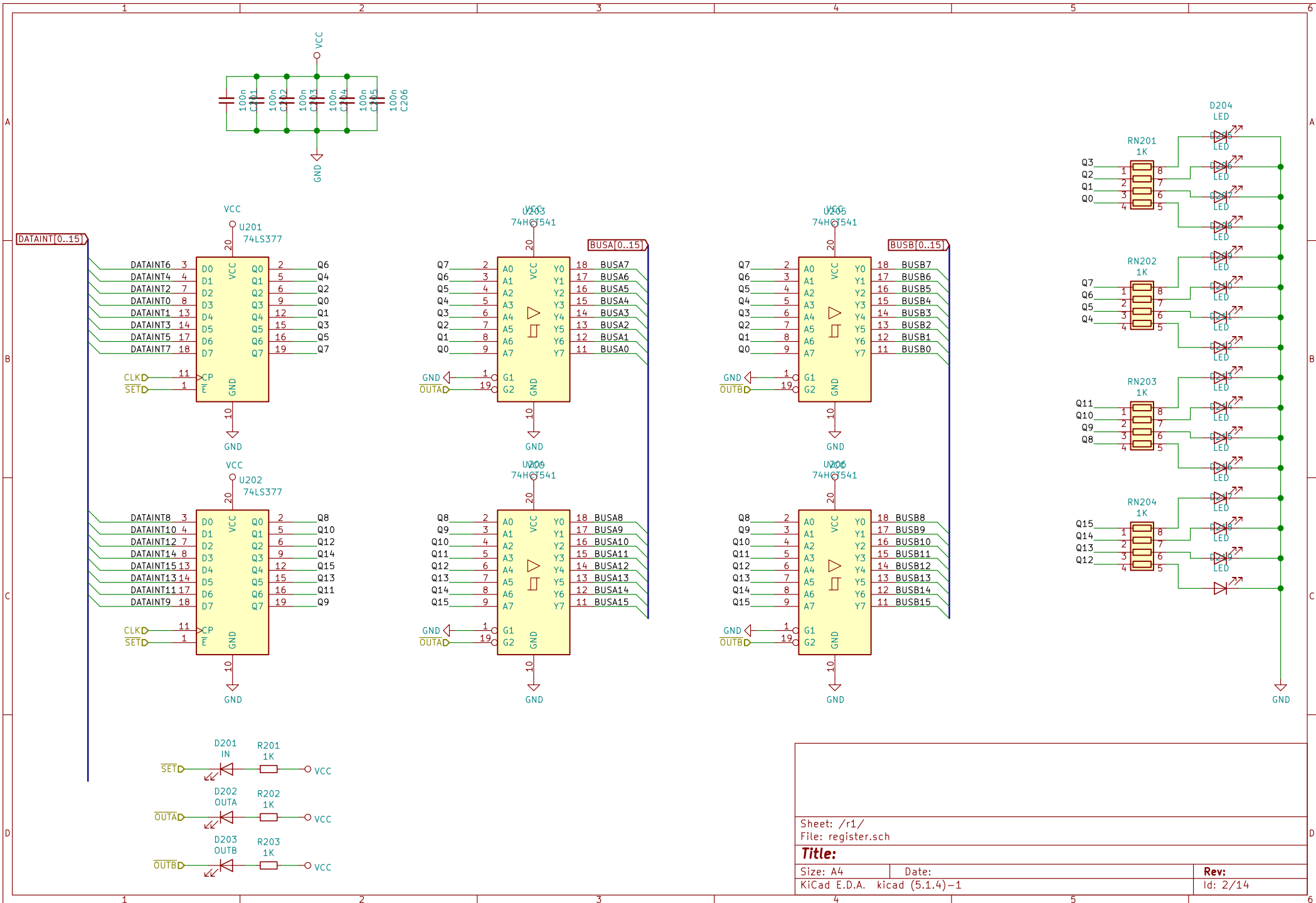
This group forces the various SETx lines to go low during reset, so that the zero values on the data bus are set into the flipflops.

Alistair Potts

Sheet: /  
File: registers.sch

**Title: MUPS/16 Register Unit**

Size: A3	Date: 2019-11-14	Rev: 1
KiCad E.D.A. kicad (5.1.4)-1		Id: 1/14



Sheet: /r1/  
File: register.sch

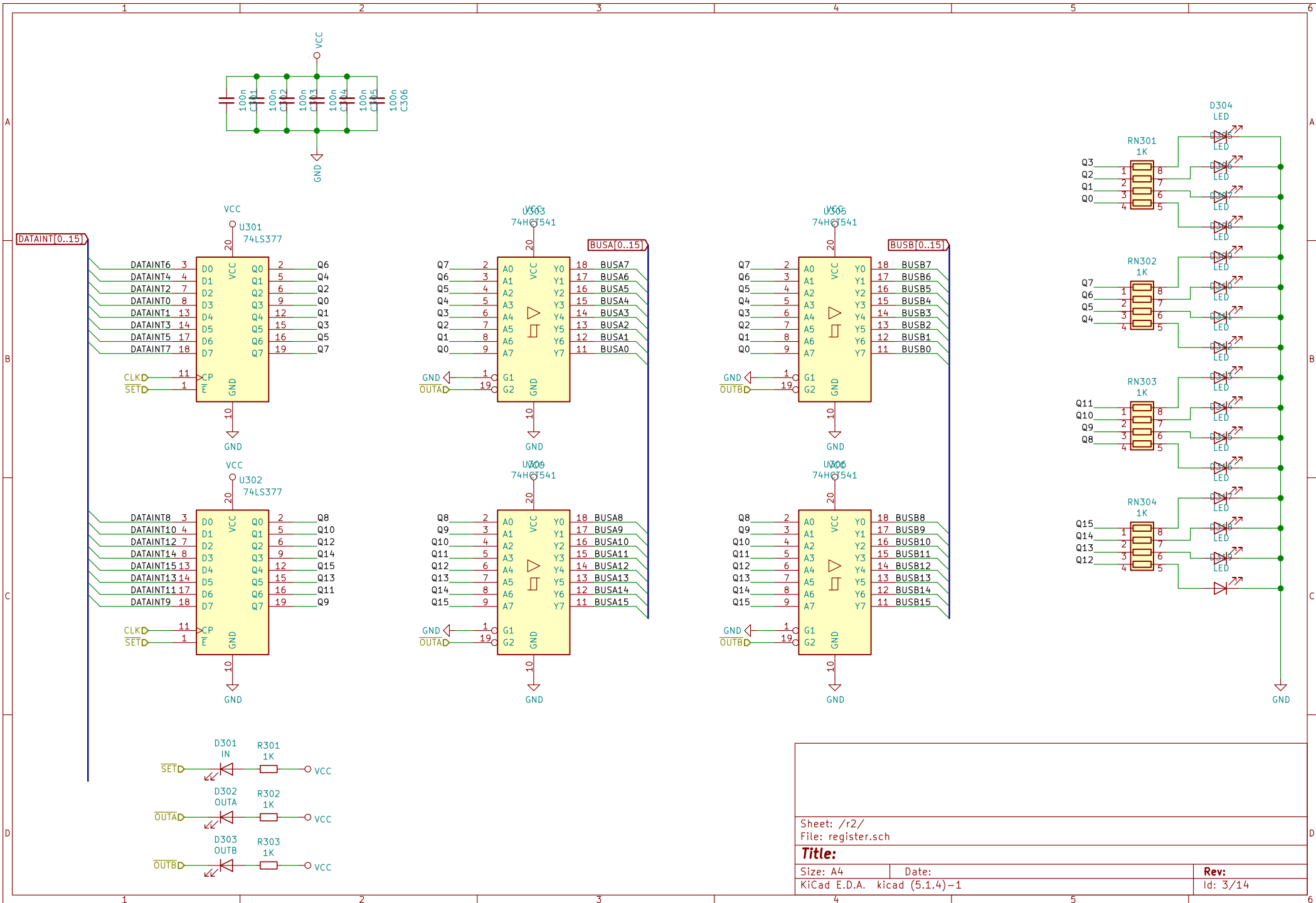
**Title:**

Size: A4  
KiCad E.D.A. kicad (5.1.4)-1

Date:

Rev:

Id: 2/14

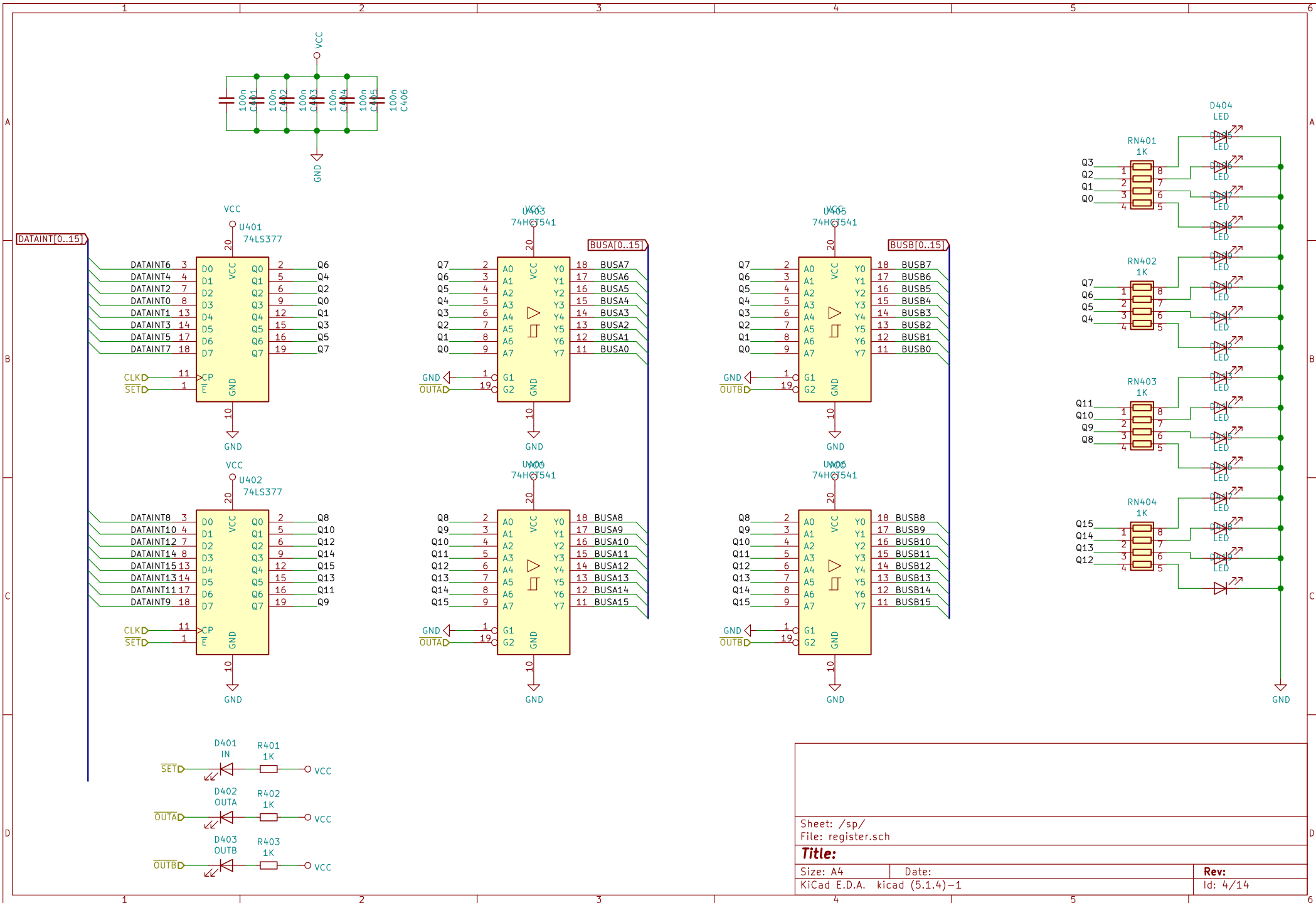


Sheet: /r2/  
 File: register.sch

**Title:**

Size: A4 Date:  
 KiCad E.D.A. kicad (5.1.4)-1

**Rev:**  
 Id: 3/14



Sheet: /sp/  
File: register.sch

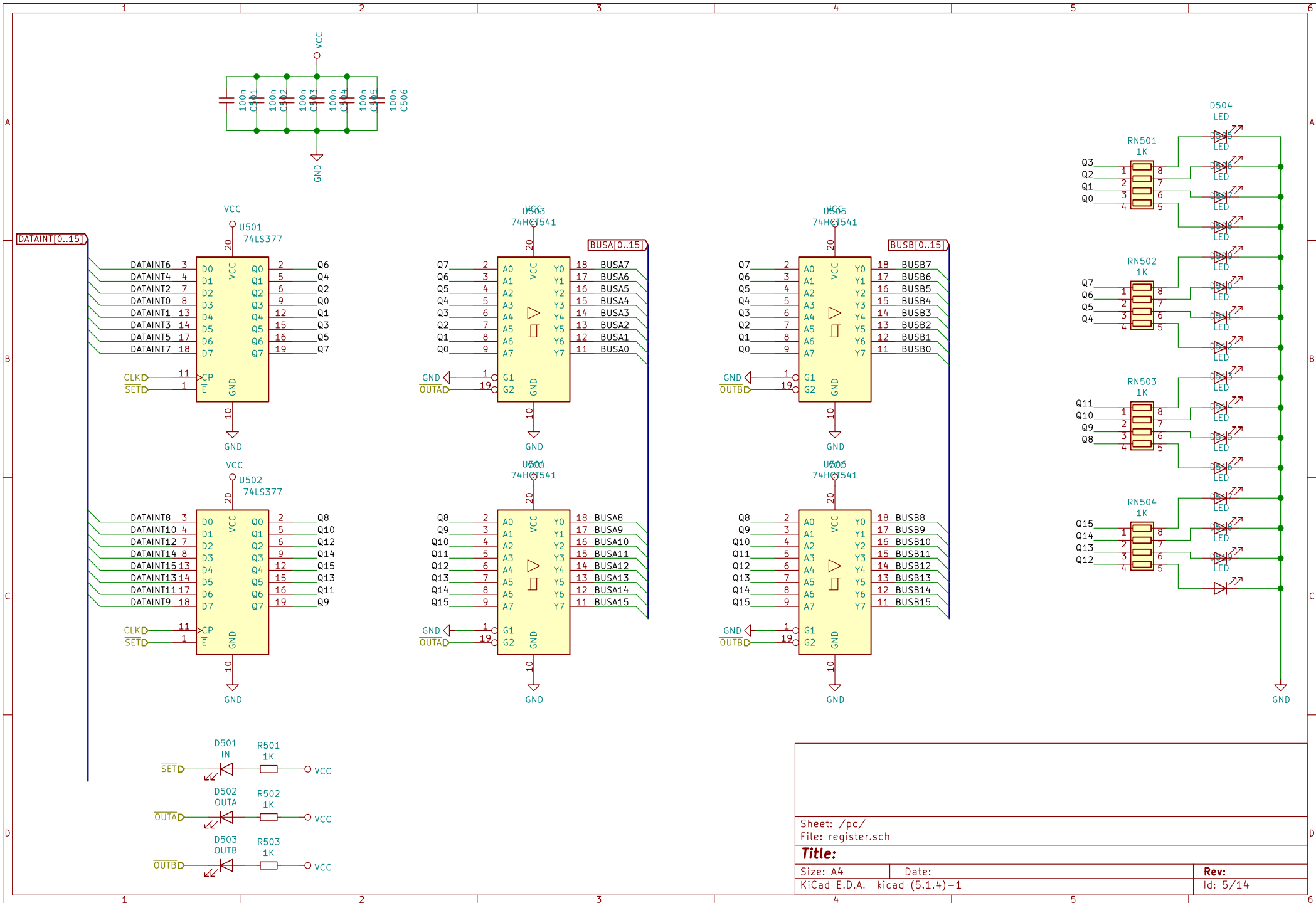
**Title:**

Size: A4  
KiCad E.D.A. kicad (5.1.4)-1

Date:

Rev:

Id: 4/14



Sheet: /pc/  
File: register.sch

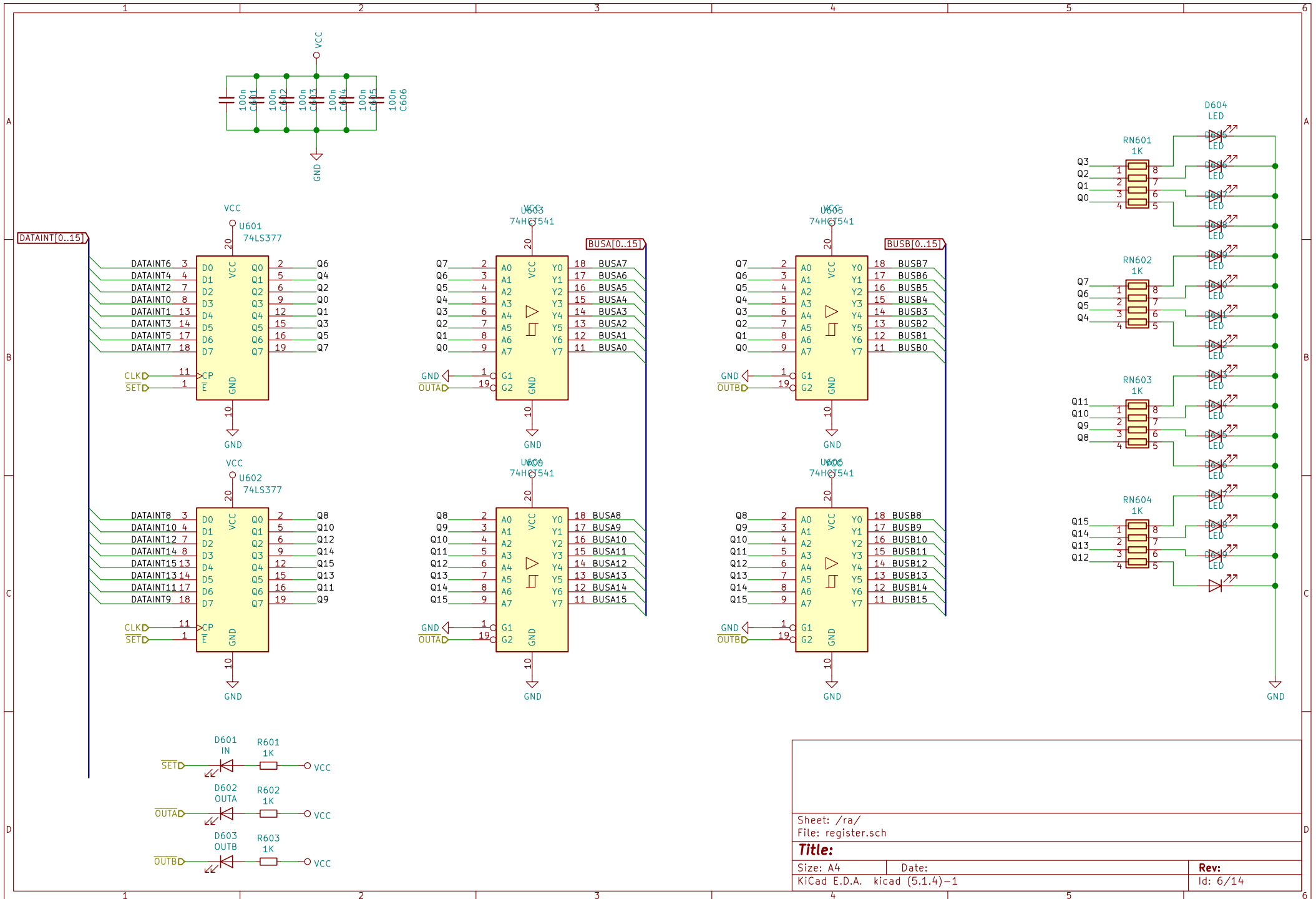
**Title:**

Size: A4  
KiCad E.D.A. kicad (5.1.4)-1

Date:

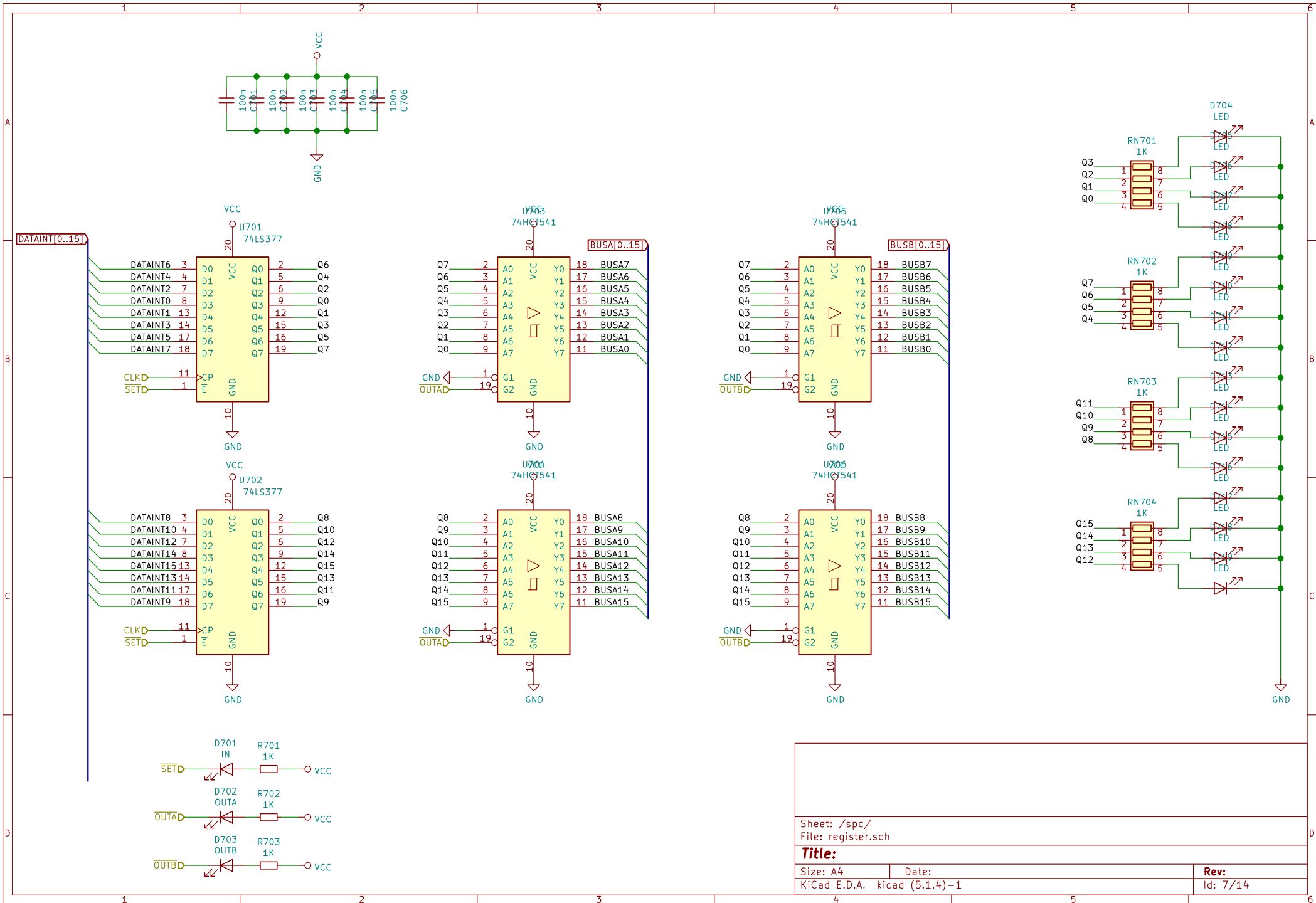
Rev:

Id: 5/14



Sheet: /ra/  
File: register.sch

<b>Title:</b>	
Size: A4	Date:
KiCad E.D.A. kicad (5.1.4)-1	Rev: 6/14



Sheet: /spc/  
 File: register.sch

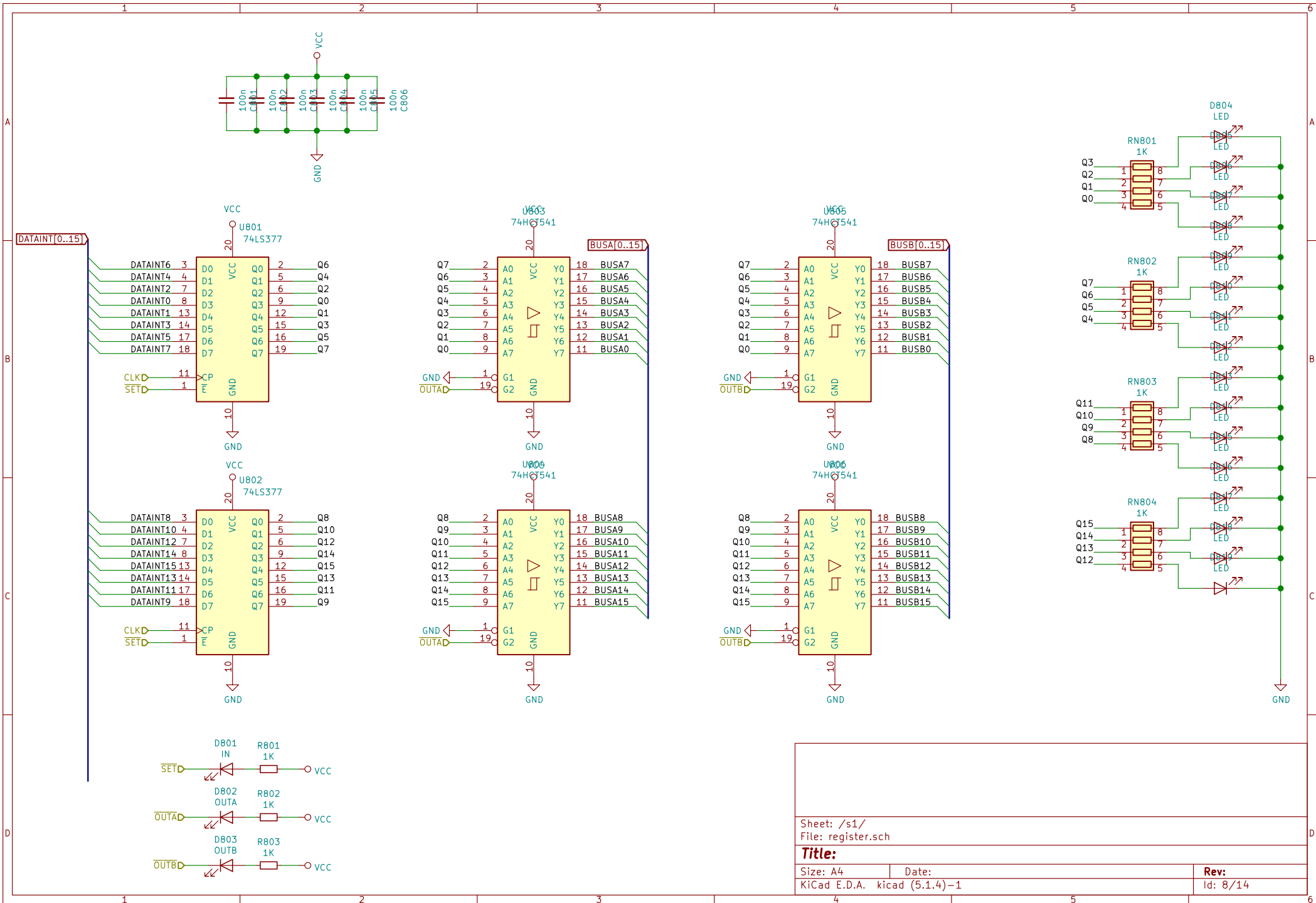
**Title:**

Size: A4  
 KiCad E.D.A. kicad (5.1.4)-1

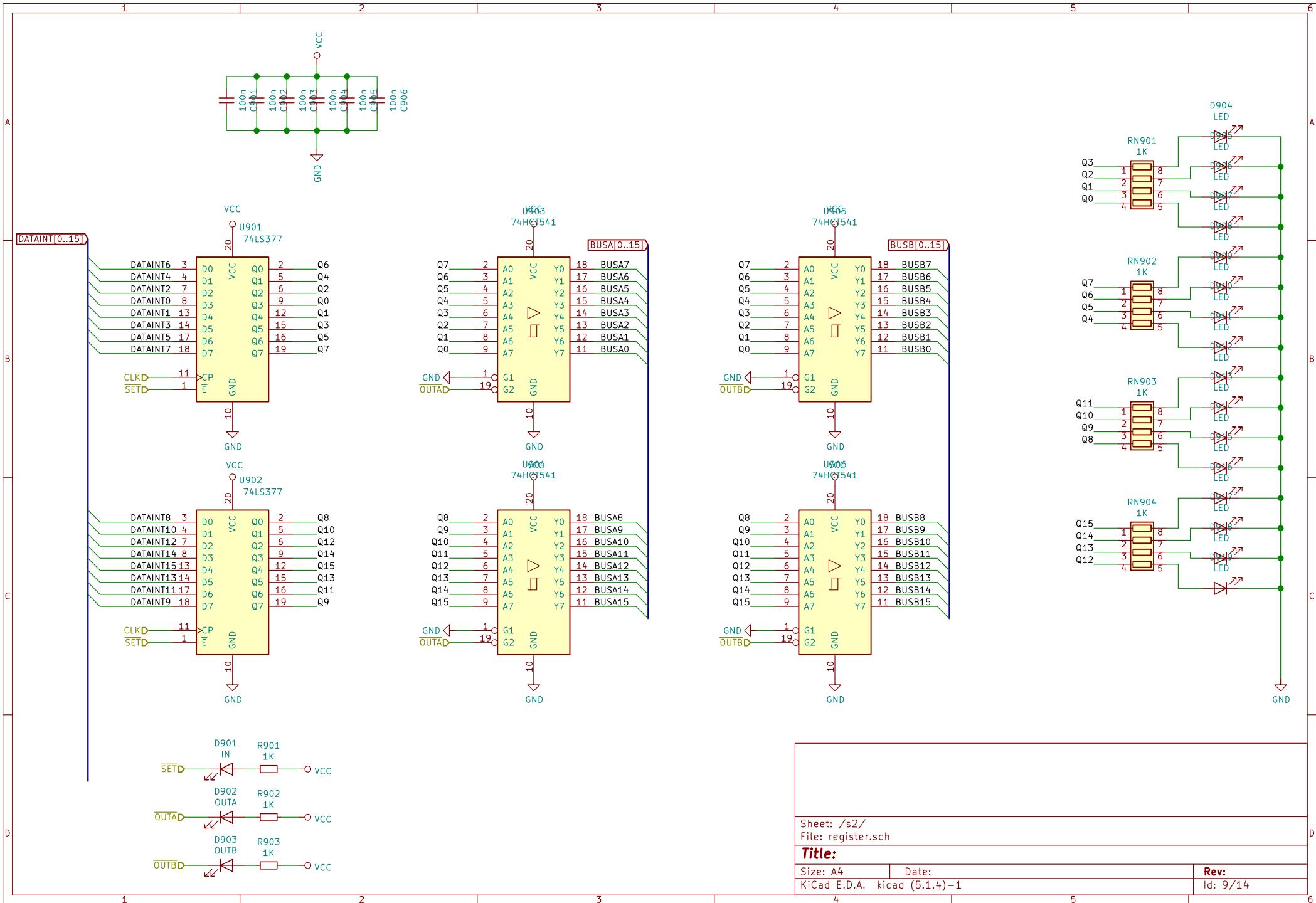
Date:

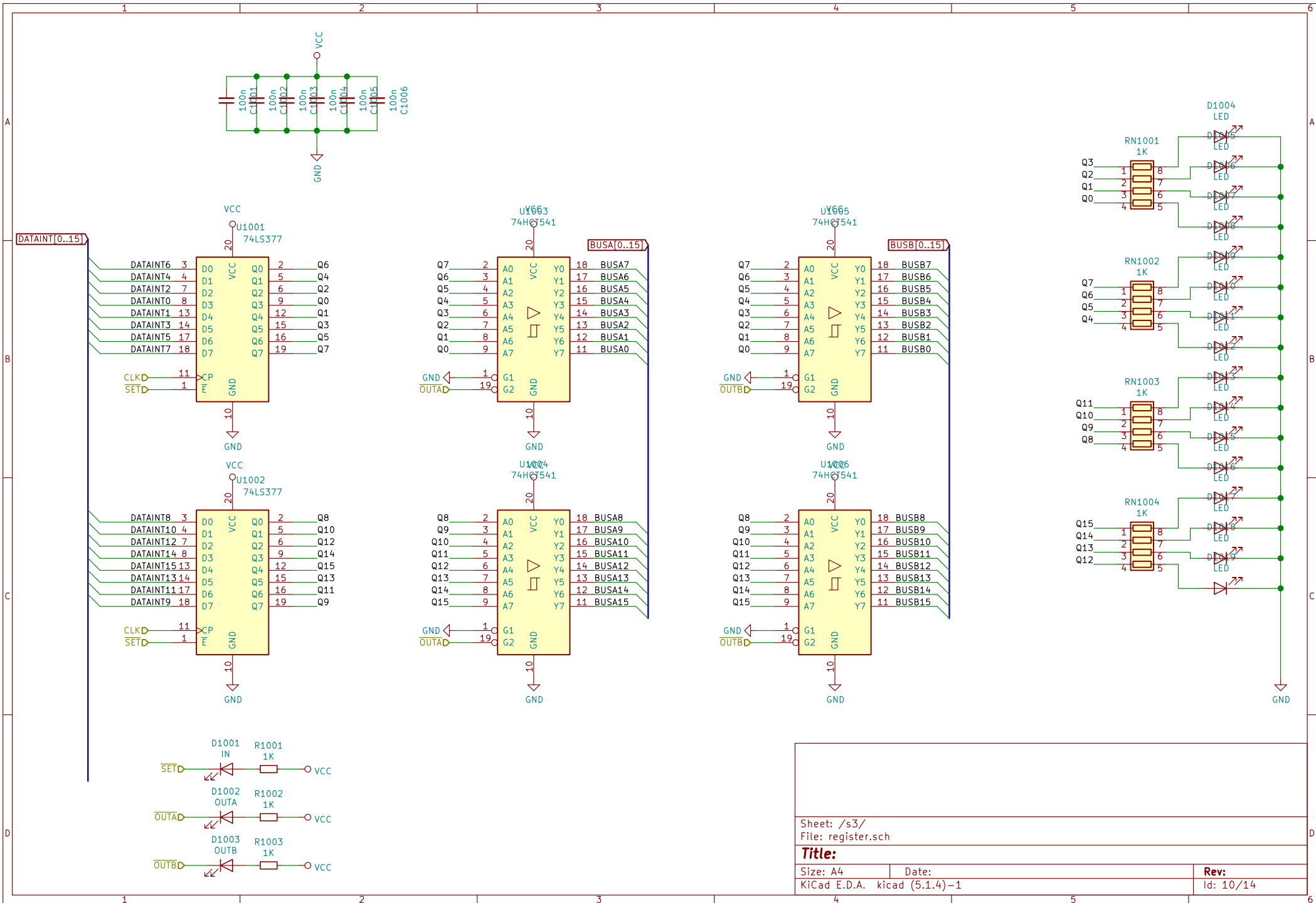
Rev:

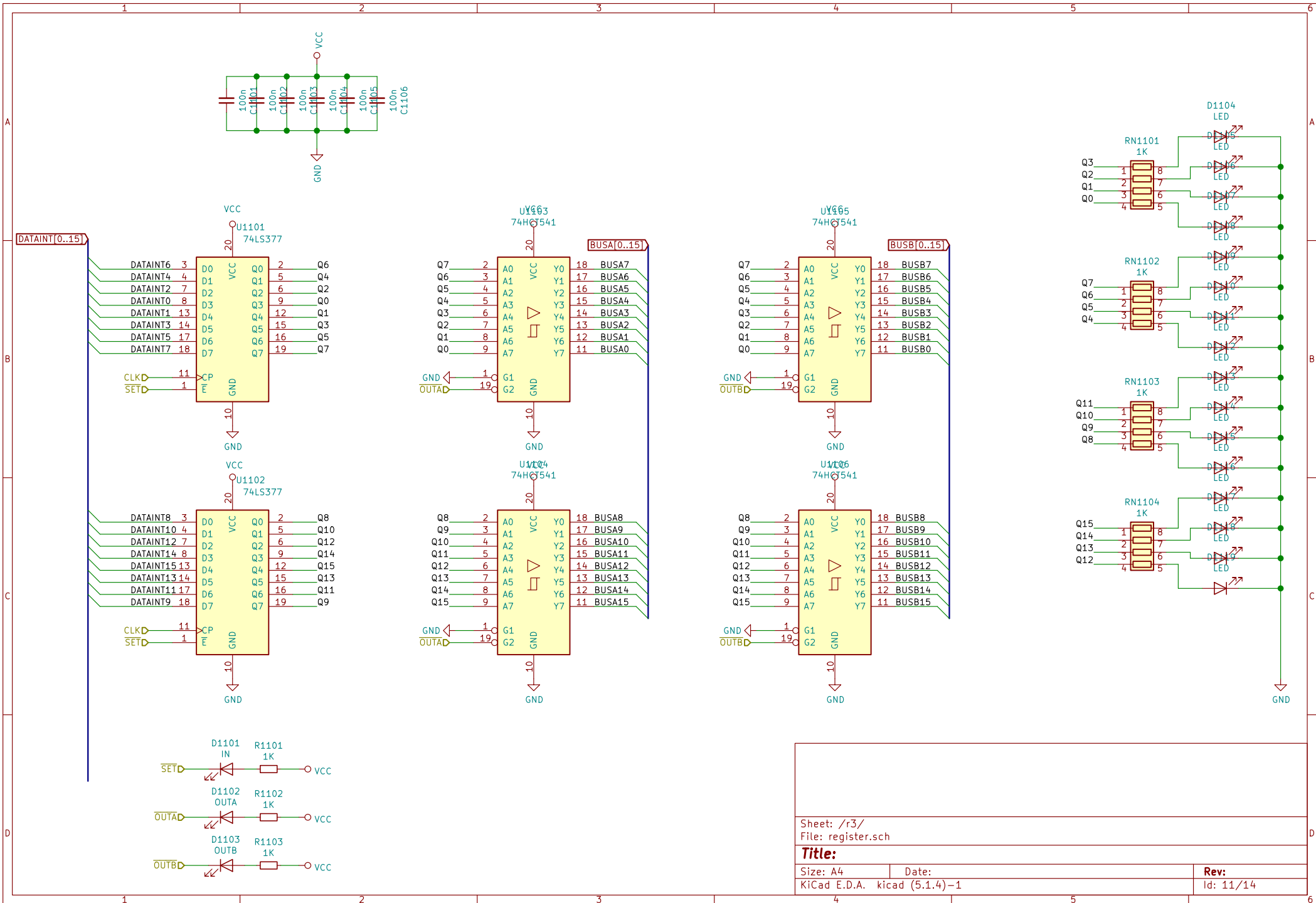
Id: 7/14











Sheet: /r3/  
 File: register.sch

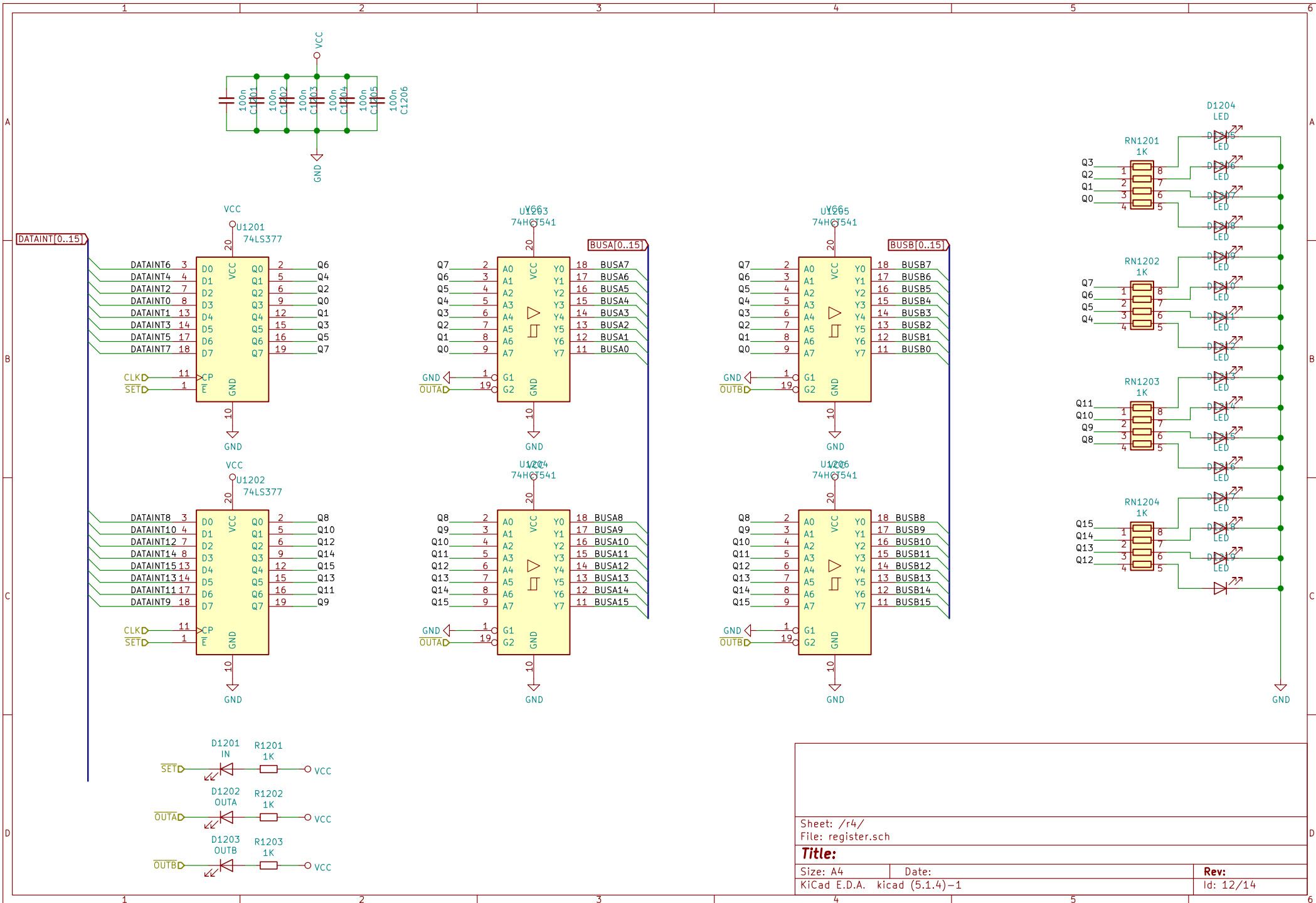
**Title:**

Size: A4  
 KiCad E.D.A. kicad (5.1.4)-1

Date:

Rev:

Id: 11/14



Sheet: /r4/  
File: register.sch

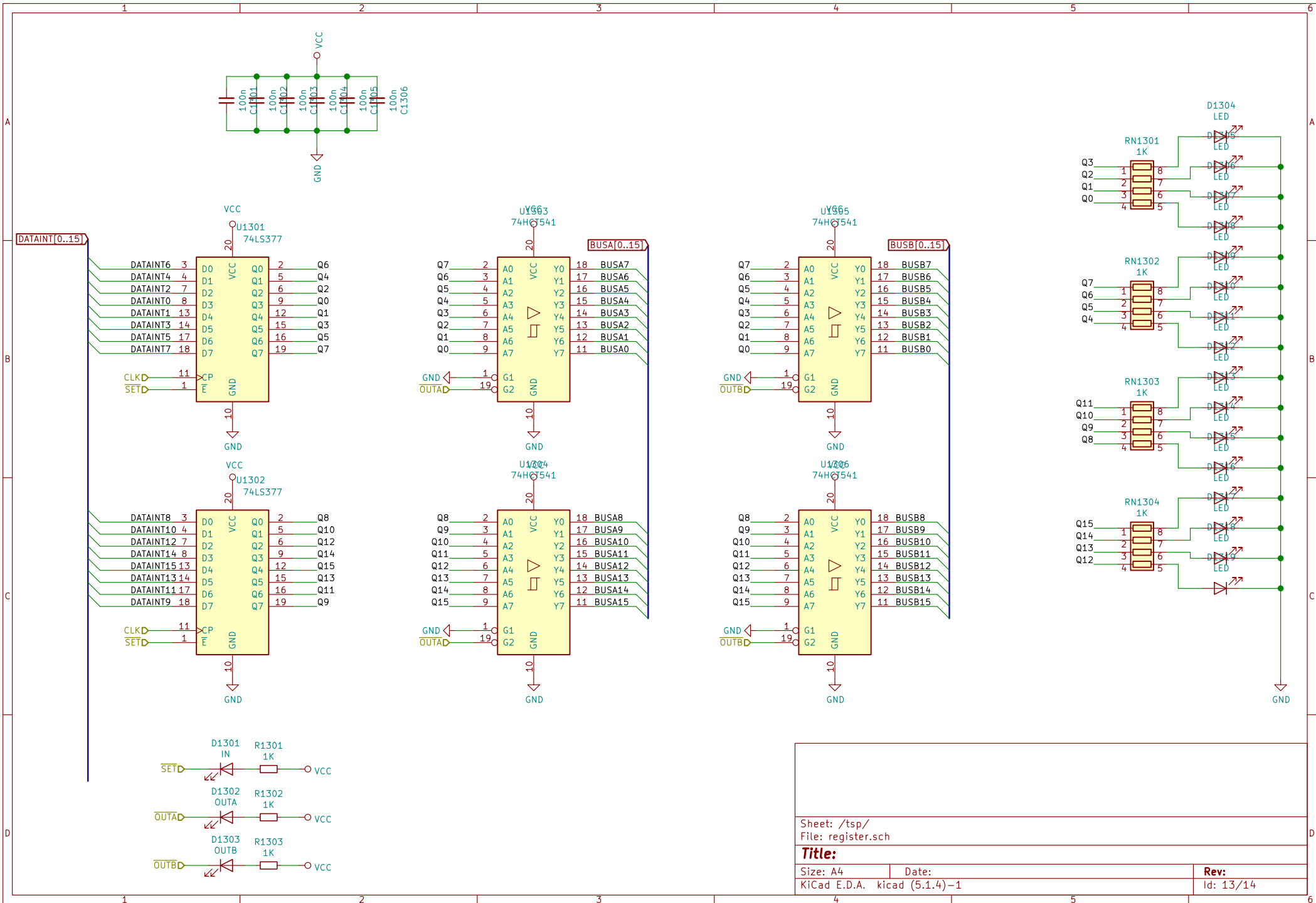
**Title:**

Size: A4  
KiCad E.D.A. kicad (5.1.4)-1

Date:

Rev:

Id: 12/14



Sheet: /tsp/  
File: register.sch

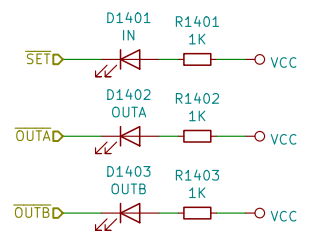
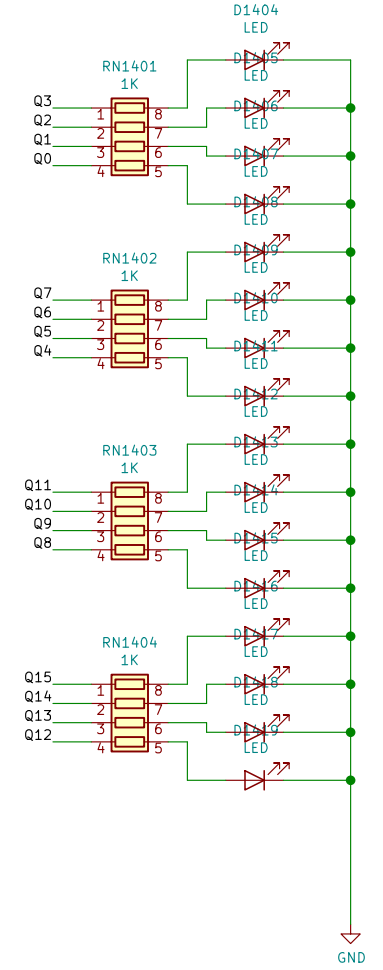
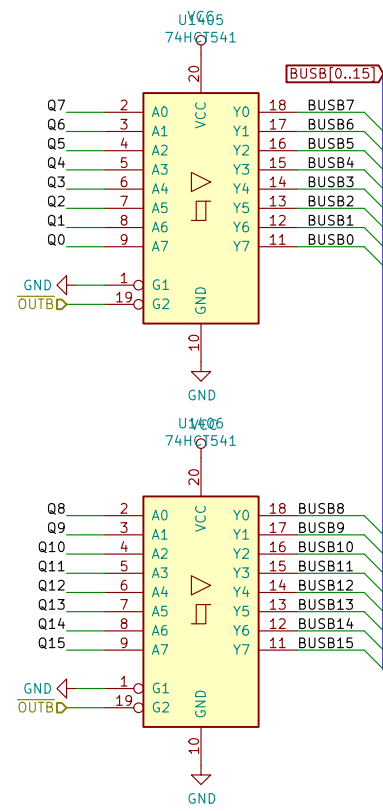
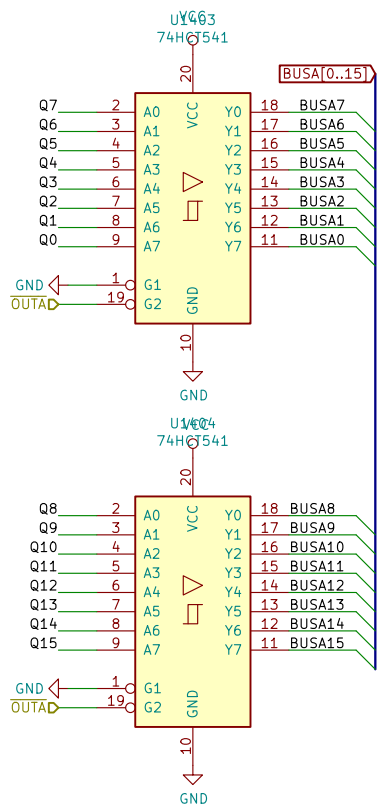
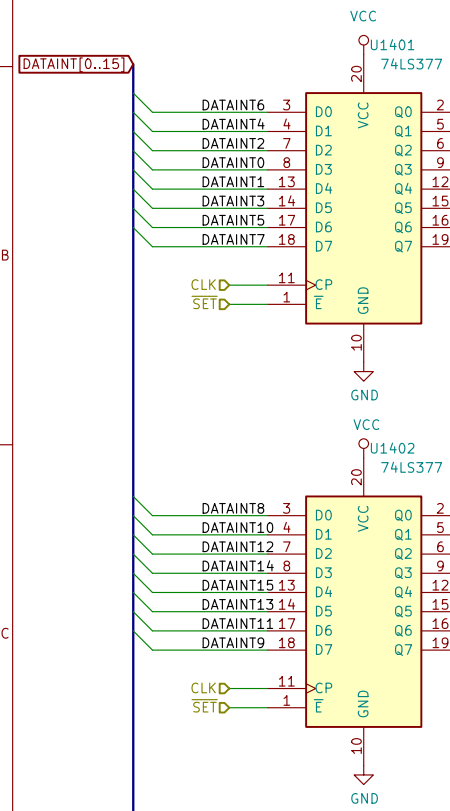
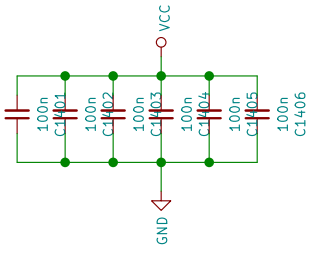
**Title:**

Size: A4  
KiCad E.D.A. kicad (5.1.4)-1

Date:

Rev:

Id: 13/14



Sheet: /temp/		File: register.sch	
<b>Title:</b>			
Size: A4	Date:	Rev:	
KiCad E.D.A. kicad (5.1.4)-1		Id: 14/14	